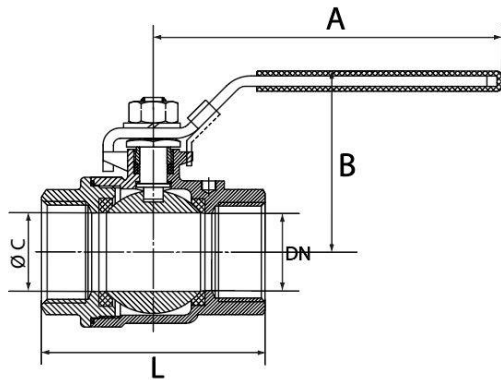


Stainless steel, 2-piece - standard type.

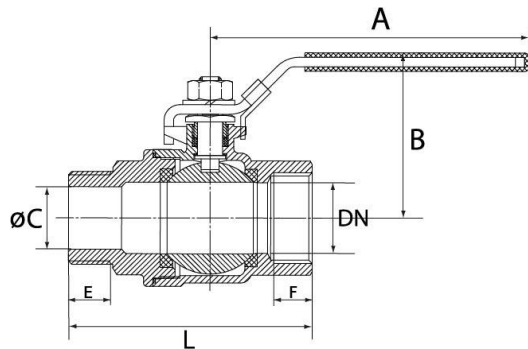
Housing	Stainless steel 1.4408
Ball	Stainless steel 1.4401
Ball seal	PTFE (15 % glass fibre reinforced)
Stem seal	PTFE
Hand lever	Stainless steel 1.4301, with plastic coating
Operating temperature	-20 °C to 180 °C
Standard thread	G thread acc. to DIN EN ISO 228-1



3395.05

Stainless steel ball valve, 2-piece, female/female thread, with full bore

Art. No.	Type No.	Thread	DN	PN bar	L mm	A mm	B mm	Ø C	E mm	F mm	Kv
135892	3395.01	G 1/4	8	63	48.0	95.0	50.0	10.0	9.0	9.0	6.6
135893	3395.02	G 3/8	10	63	48.0	95.0	50.0	10.0	9.0	9.0	7.9
135894	3395.03	G 1/2	15	63	56.0	105.0	61.5	15.0	11.0	11.0	11.2
135895	3395.04	G 3/4	20	63	65.0	115.0	67.5	20.0	12.0	12.0	21
135896	3395.05	G 1	25	63	75.0	125.0	69.0	25.0	14.0	14.0	35
135897	3395.06	G 1 1/4	32	63	88.0	150.0	84.5	32.0	15.0	15.0	57
135898	3395.07	G 1 1/2	40	63	98.0	170.0	103.5	38.0	15.0	15.0	80
135899	3395.08	G 2	50	63	110.0	170.0	111.0	49.0	15.0	15.0	150
135900	3395.09	G 2 1/2	65	40	138.0	240.0	135.0	64.0	21.0	21.0	265
135901	3395.10	G 3	80	40	164.0	240.0	145.0	76.0	25.0	25.0	415

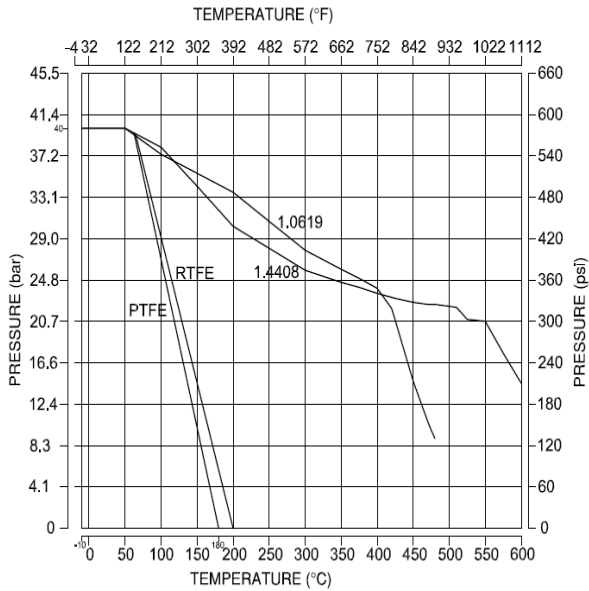


3395.25

Stainless steel ball valve, 2-piece, female/male thread, slightly reduced

Art. No.	Type No.	Thread	DN	PN bar	L mm	A mm	B mm	C Ø mm	E mm	F mm	Kv
135902	3395.21	G 1/4	8	63	58.0	95.0	50.0	10.0	9.0	9.0	6.6
135903	3395.22	G 3/8	10	63	58.0	95.0	50.0	10.0	9.0	9.0	7.9
135904	3395.23	G 1/2	15	63	68.0	105.0	61.5	15.0	11.0	11.0	11.2
135905	3395.24	G 3/4	20	63	75.0	115.0	67.5	20.0	12.0	12.0	21
135906	3395.25	G 1	25	63	85.0	125.0	69.0	25.0	14.0	14.0	35
135907	3395.26	G 1 1/4	32	63	100.0	150.0	84.5	32.0	15.0	15.0	57
135908	3395.27	G 1 1/2	40	63	112.0	170.0	103.5	38.0	15.0	15.0	80
135909	3395.28	G 2	50	63	123.0	170.0	111.0	49.0	15.0	15.0	150

PN40



PN63

